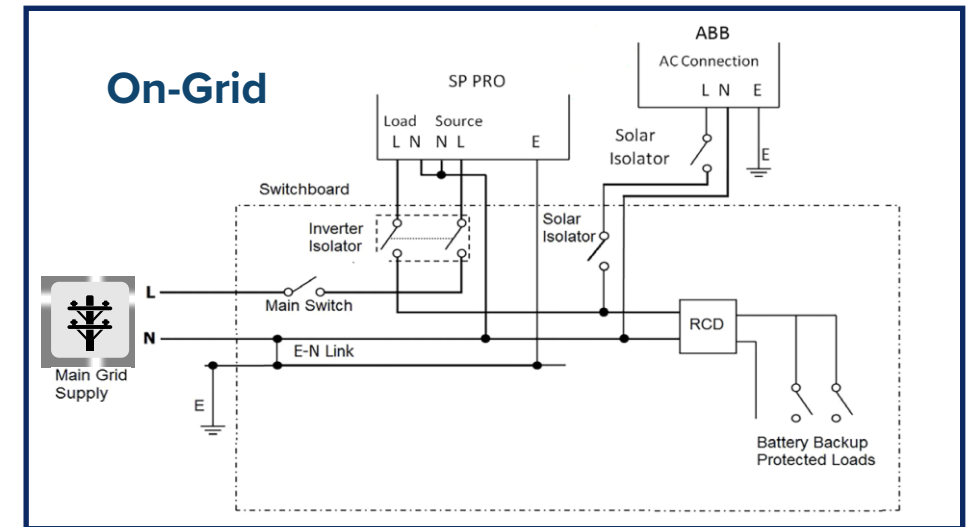
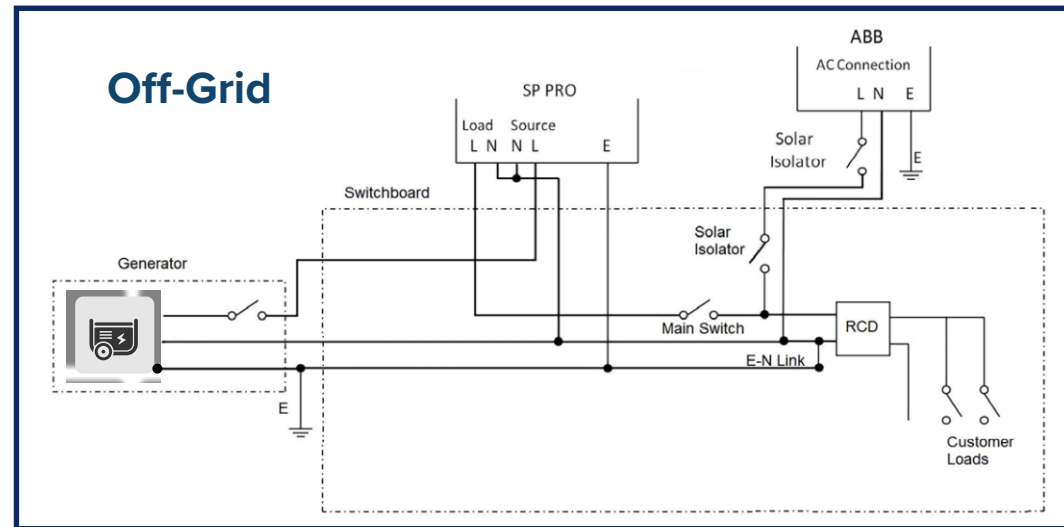


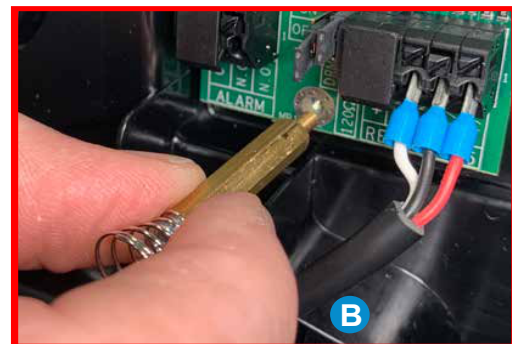


SP PRO Series 2i

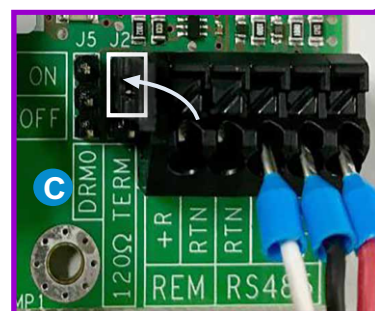
# ABB UNO-DM and ABB UNO-DM PLUS Q Installation Overview



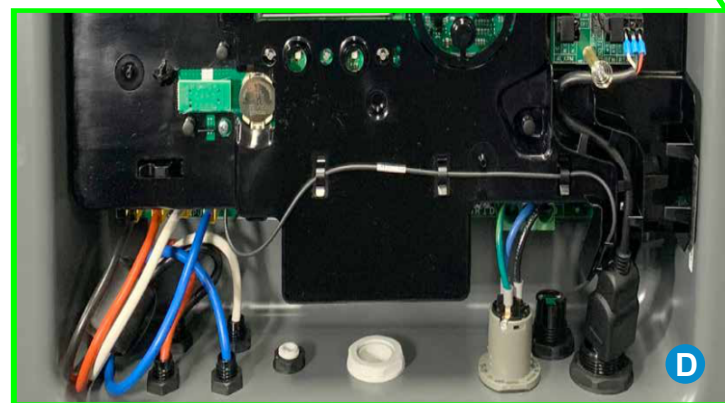
Install Card



Secure



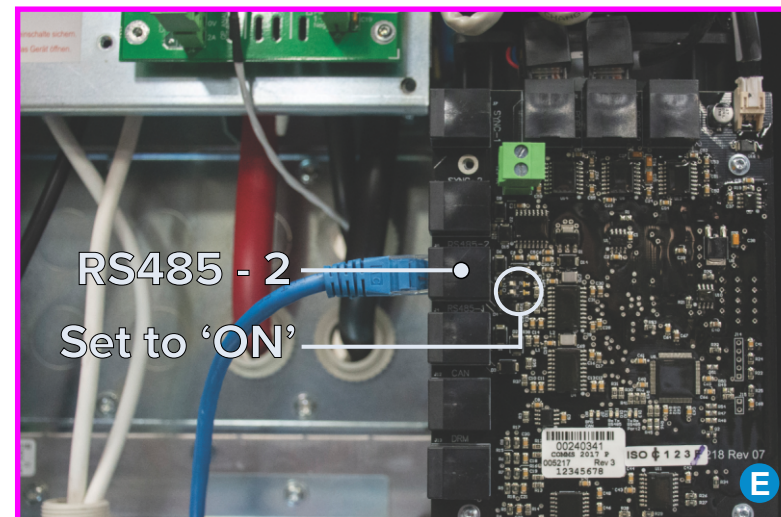
Terminator On  
White = "RTN"  
Red = "RS485 -T/R"  
Black = "RS485 +T/R".



Single unit or last in the chain



RS485 comm link



RS485 - 2  
Set to 'ON'

### ABB SETTINGS

RS485 Main F

RS485 Node Address

RS485 Baud Rate  
19200 bps

RS485 Parity Mode  
No Parity

RS485 Protocol Type  
Protocol Aurora Server

Save

### SP LINK SETTINGS

L1

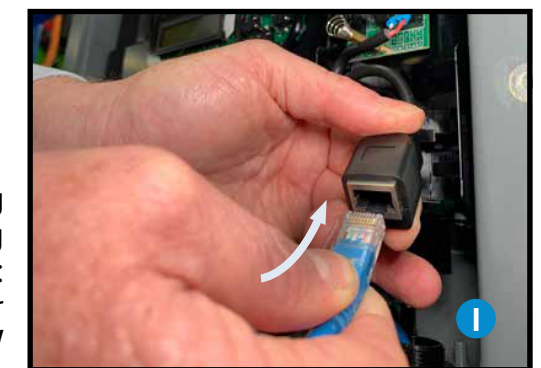
String Inverter\*  
ABB Solar

Number of Devices\*  
[1 - 5]  G

### AC SOLAR LINK TEST

AC Solar Link Test  
Errors or non-responses from grid-tie inverters can indicate quality of link. Counting while grid tie inverter is off, such as at night, is normal.

Link #1  H



**Fail Safe Testing**  
- Unplug  
- Check:  
Output Power  
≤ 0.1kW

Please ensure to run the SP LINK site configuration Wizard.  
View installation Note: **IN0053**  
[www.selectronic.com.au/support](http://www.selectronic.com.au/support)